

RACE EVOLUTION
 TEAM KIT 08
 HT1 / HT2

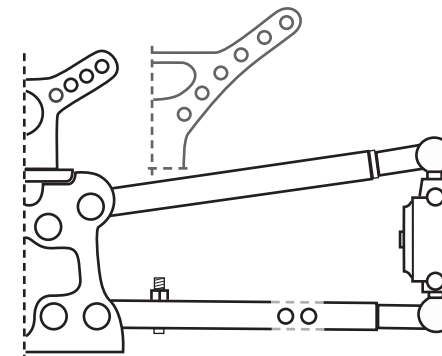
DRIVER _____
 DATE _____ TRACK _____
 EVENT _____

TUNING

WHEELS

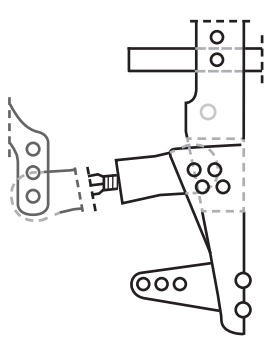
FRONT WHEELS TIRES _____ RIMS _____ INSERTS _____ LENGTH _____ MM
 REAR WHEELS TIRES _____ RIMS _____ INSERTS _____ LENGTH _____ MM

FRONT

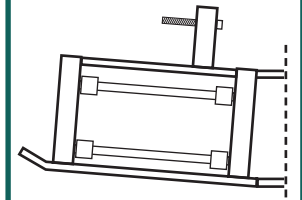


CAMBER _____ °
 WHEEL HUBS
 ALU STEEL
 WIDE MEDIUM NARR.
 DROOP _____ MM
 RIDE HEIGHT _____ MM

ACKERMANN

TOE _____ °


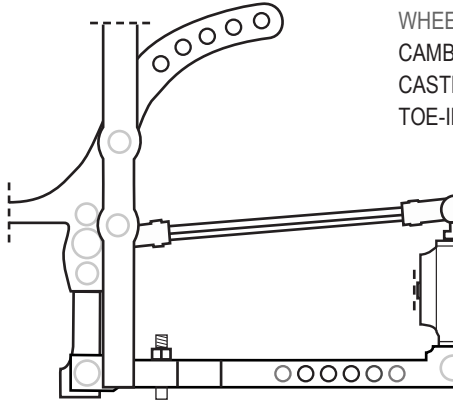
CASTER



TOP

 BOTTOM

REAR



WHEELBASE LONG MED. SHORT
 CAMBER _____ °
 CASTER 0° 4°
 TOE-IN 2° 4°
 WHEEL HUBS
 ALU STEEL
 WIDE MEDIUM NARR.
 DROOP _____ MM
 RIDE HEIGHT _____ MM

FRONT

SHORT
 LONG
 _____ HOLES
 _____ MM

CAPS
 PISTON
 BODY
 OIL
 SPRING
 PRELOAD

REAR

SHORT
 LONG
 _____ HOLES
 _____ MM
 SHORT
 LONG



DRIVETRAIN

ENGINE NAME _____ SIZE _____ CCM
 MUFLEL NAME _____
 CLUTCH NAME _____ AT _____ U/MIN
 GEARBOX SPUR GEAR _____ Z PINION _____ Z
 DIFF. GEAR _____ Z DIFF. PINION _____ Z


CHASSIS

STIFFENERS LONG SHORT
 FUEL TANK POSITION LEFT RIGHT
 BATTERY POSITION _____

TRACK

SMOOTH SANDY
 BUMPY SOFT DIRT
 LOW TRACTION GRASS
 MED. TRACTION BLUE GROOVE
 HIGH TRACTION CLAY
 WET CARPET
 DRY OTHER

WING



LIP
 YES NO
 COMMENT _____

BRAKES

CENTRAL REAR BRAKE
 CABLE DISK BRAKES
 HYDRAULIC DISC BRAKES
 VORNE HINTEN
 BRAKE NAME _____
 BRAKE DISCS _____
 HYDRAULIC OIL _____
 BRAKE LOAD
 FRONT _____ % REAR _____ %